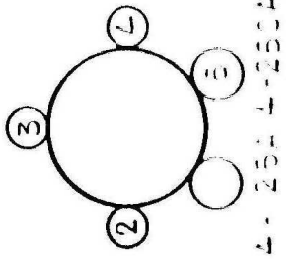
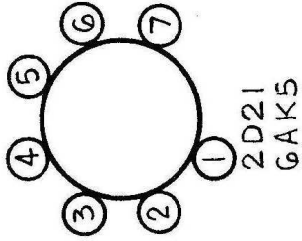


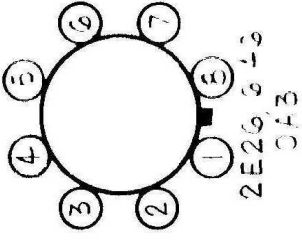
BOTTOM VIEW OF SOCKETS



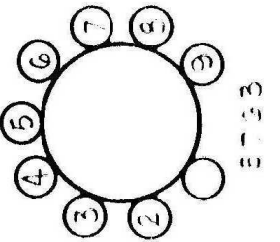
4-2544-2504



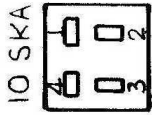
2D21
6AK5



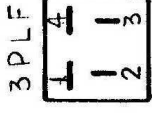
2E26, 2L2
6AF3



3T33

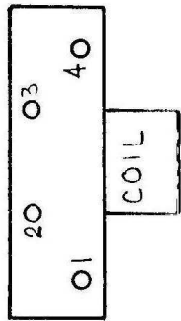


10 SKA

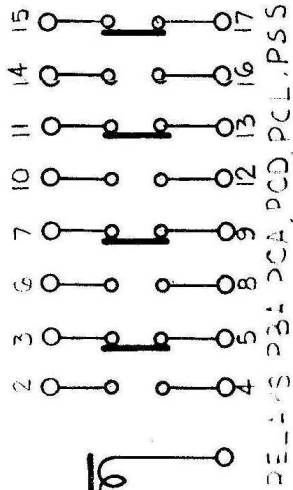


3 PLF

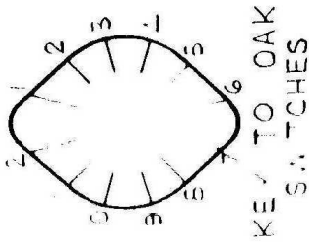
VIEWED FROM WIRING SIDE



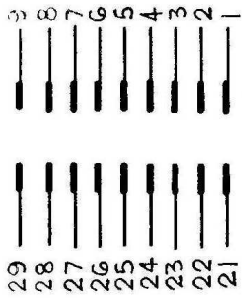
CONTACTS OF RELAY PLB
VIEWED FROM WIRING SIDE



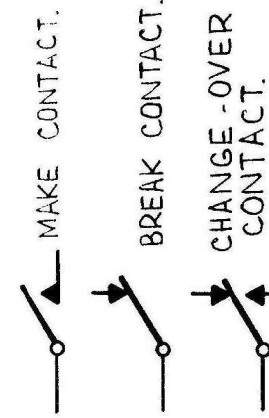
RELAYS PBA, PCA, PCD, PCL, PSS.



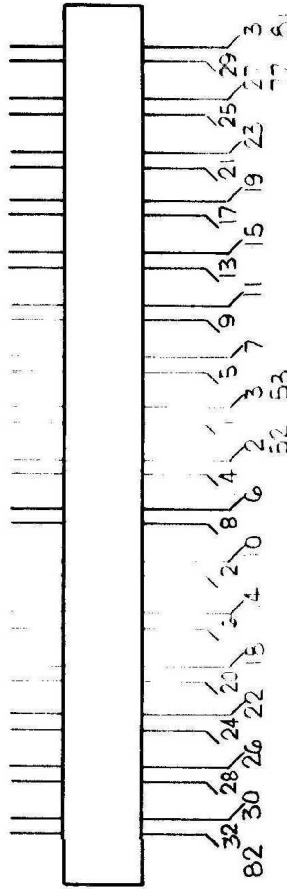
KEY TO OAK
SWITCHES



VIEW WIRING SIDE
300-TYPE RELAY

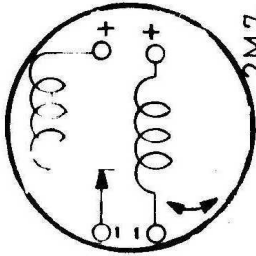


RELAY CONTACTS
DETACHED FROM
OPERATING COILS.



POINT TAG NUMBERING

1-32 HIGHER JACK STRIP. 51-82 LOWER JACK STRIP.



LIMIT LOCKING
METER MOVEMENT

WIRING SIDE $\frac{2M7}{1}$ & $\frac{2M8}{1}$

NOTES:

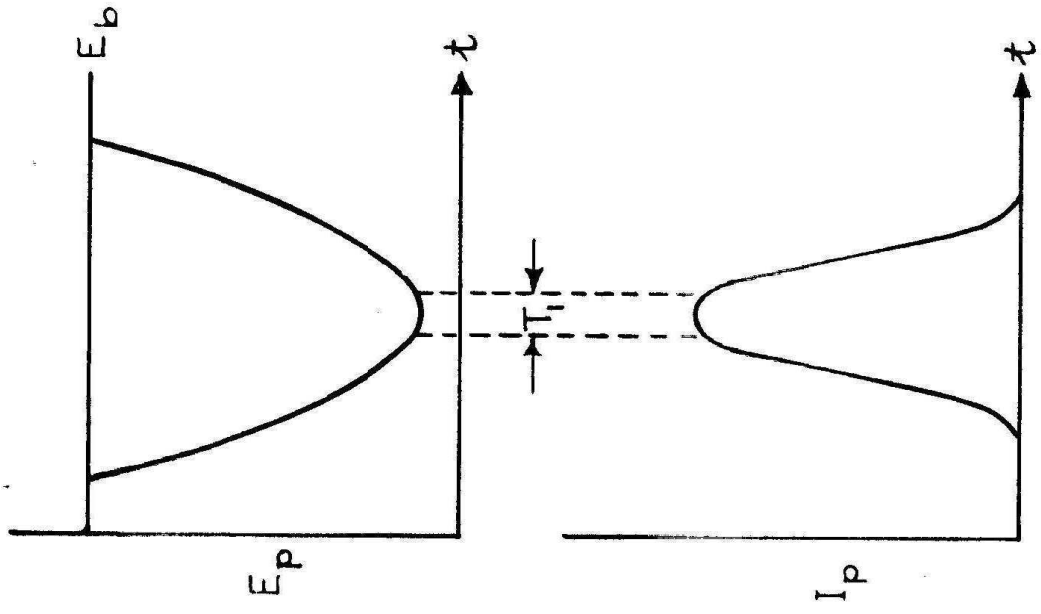
- RESISTORS IN OHMS.
- K=1,000; M=1,000,000
- CAPACITORS IN μF (E.G. .01) OR μF (E.G. 150)
- ELECTROLYTICS IN μF .
- OAK SWITCHES VIEWED FROM KNOB-
END IN EXTREME ANTICLOCKWISE
POSITION.



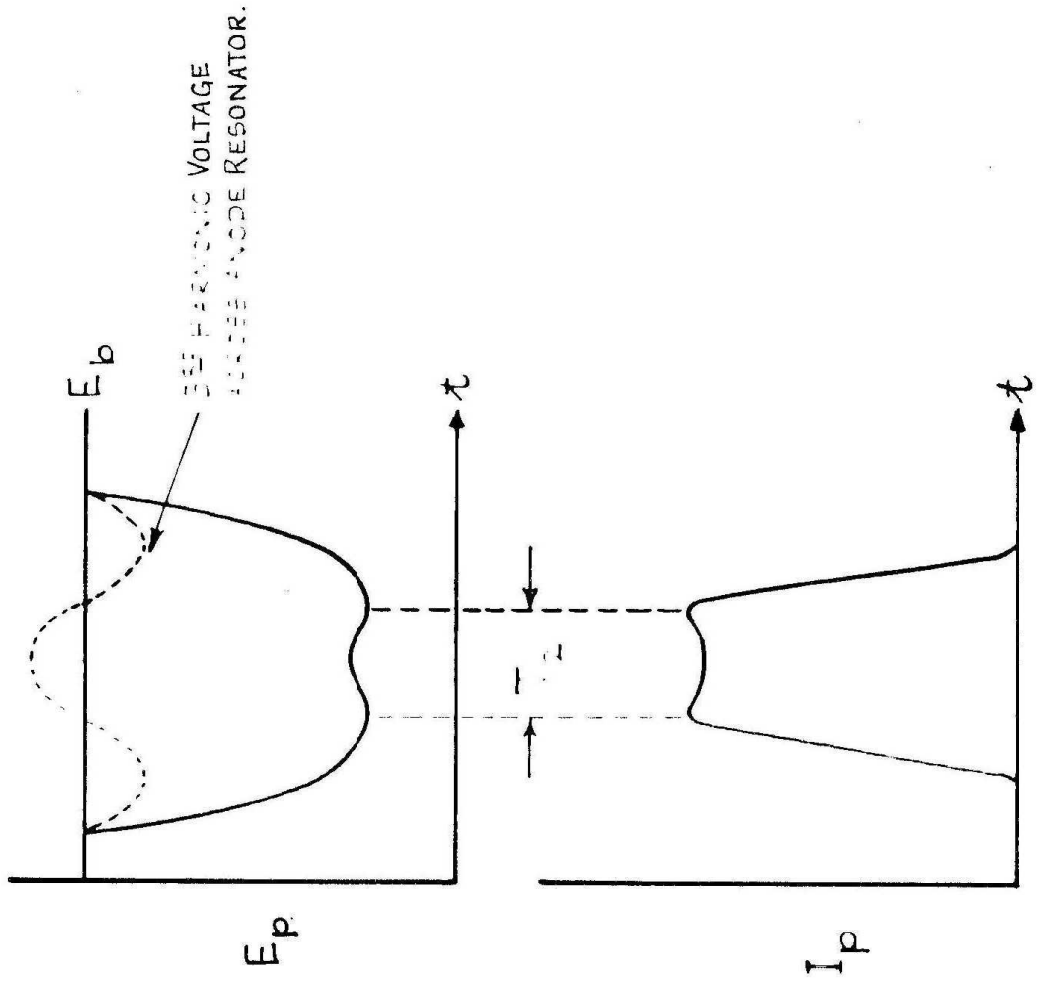
NOTES FOR SCHEMATIC DRAWINGS
10k.W. M.F. BROADCAST TRANSMITTER, BTM - 10K
TYPE 5JG0090
DRG. 60090C8

PREFIX TO CIRCUIT REFERENCE Nos. INDICATES LOCATION
OF COMPONENTS IN ACCORDANCE WITH FOLLOWING TABLE.

UNIT.	TYPE	Nº	PREFIX
R.F. DRIVE & MODULATOR	5JG0092		1
CONTROL PANEL.	6P60095		2
R.F. UNIT & H.T. RECTIFIERS	4JG0093		3
CRYSTAL OSCILLATOR	1JG0099		4
MODULATION MONITOR ACCESSORY ITEM	6A51921		5
CONTACTOR PANEL	3R60096		6
MAINS LOW ALARM ACCESSORY ITEM	1R56745		7
DIRECTIONAL COUPLER	1R60098		10
RELAY SET	24R59713		

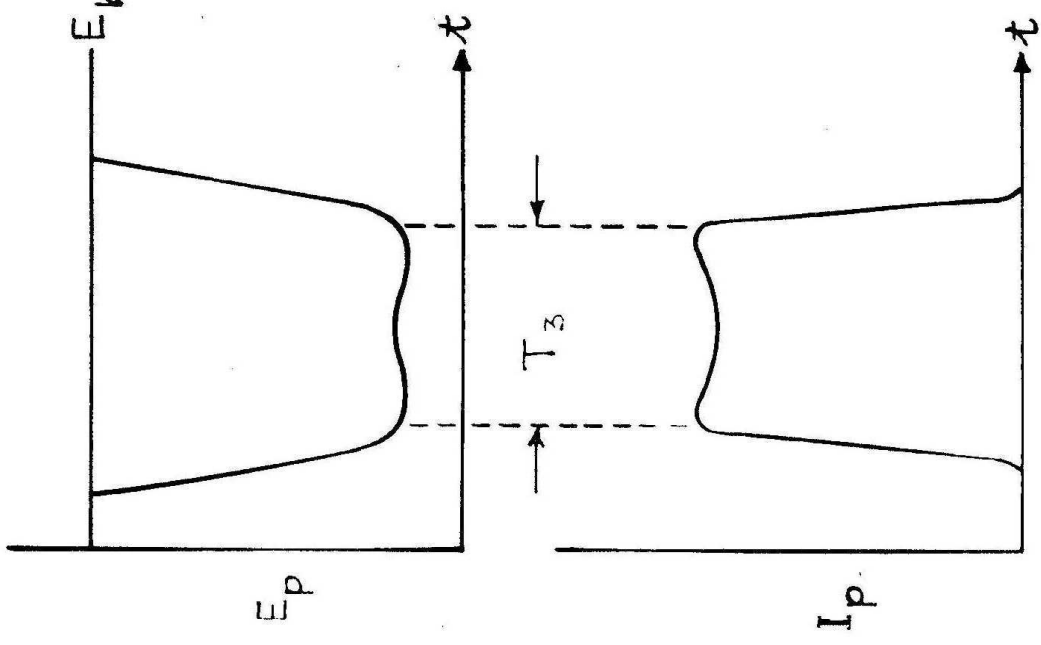


NORMAL
CLASS "C" OPERATION.
FIG. 1



EFFECT OF 3RD HARMONIC
TRAP IN ANODE CIRCUIT.

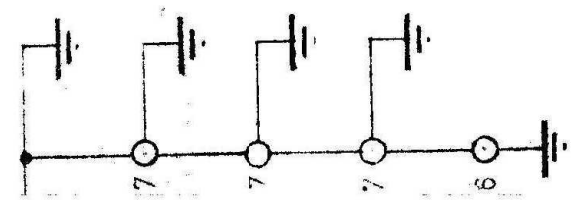
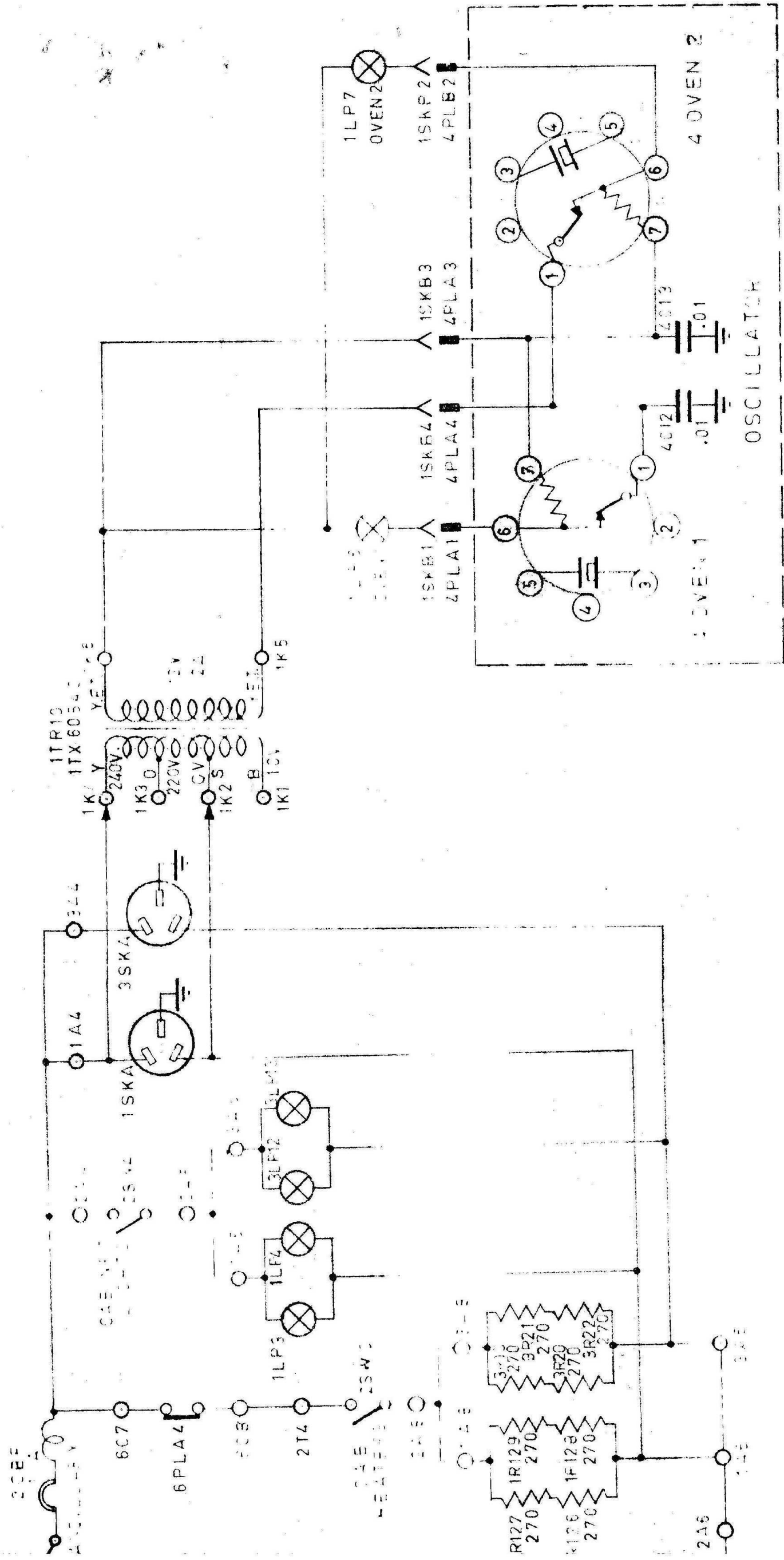
FIG. 2



COMBINED EFFECT OF 3RD
HARMONIC TRAPS IN ANODE
AND CATHODE CIRCUITS.

FIG. 3

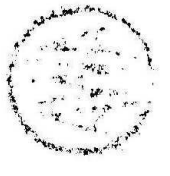


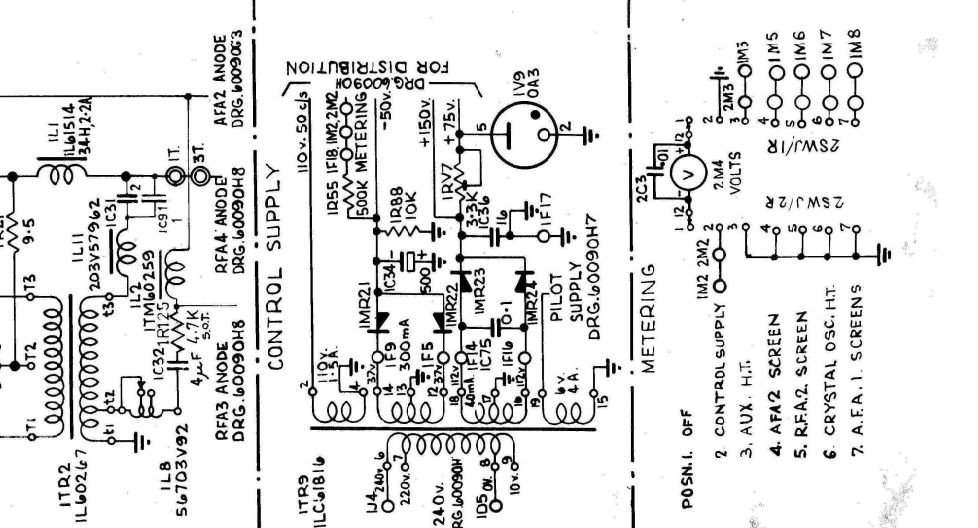
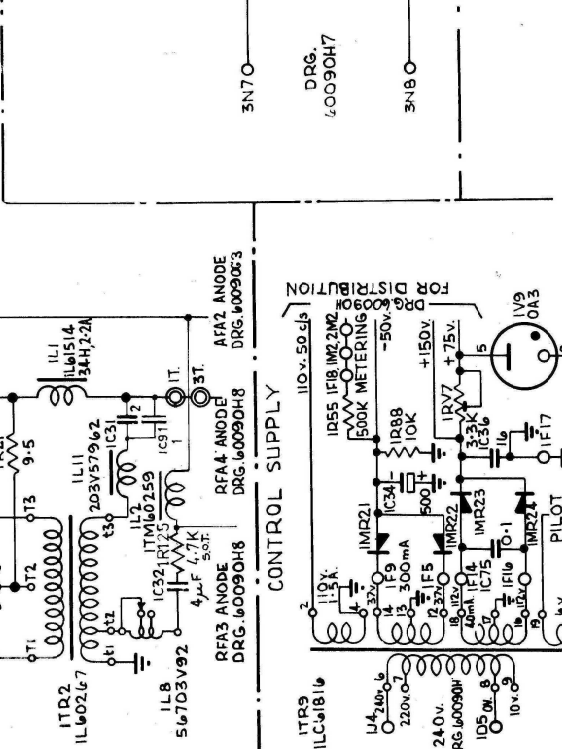
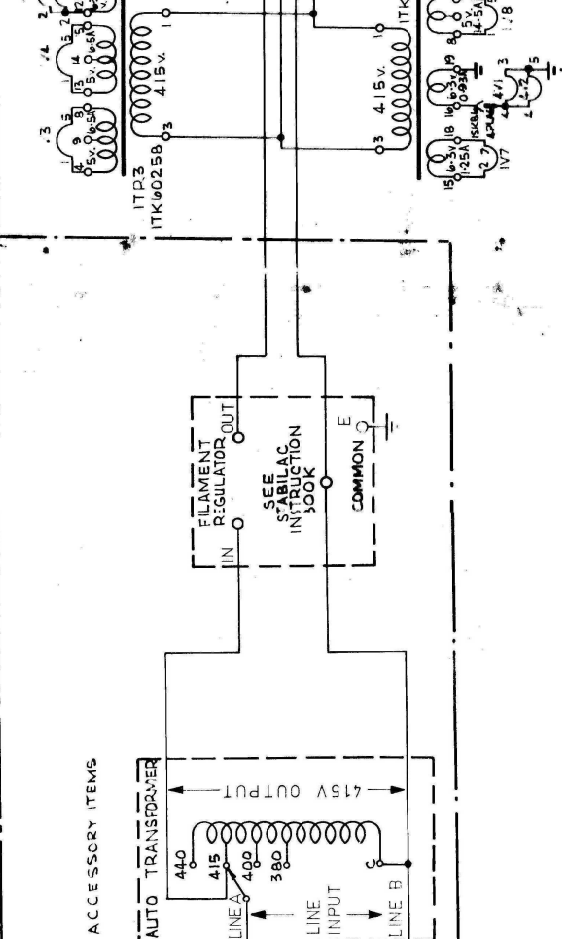
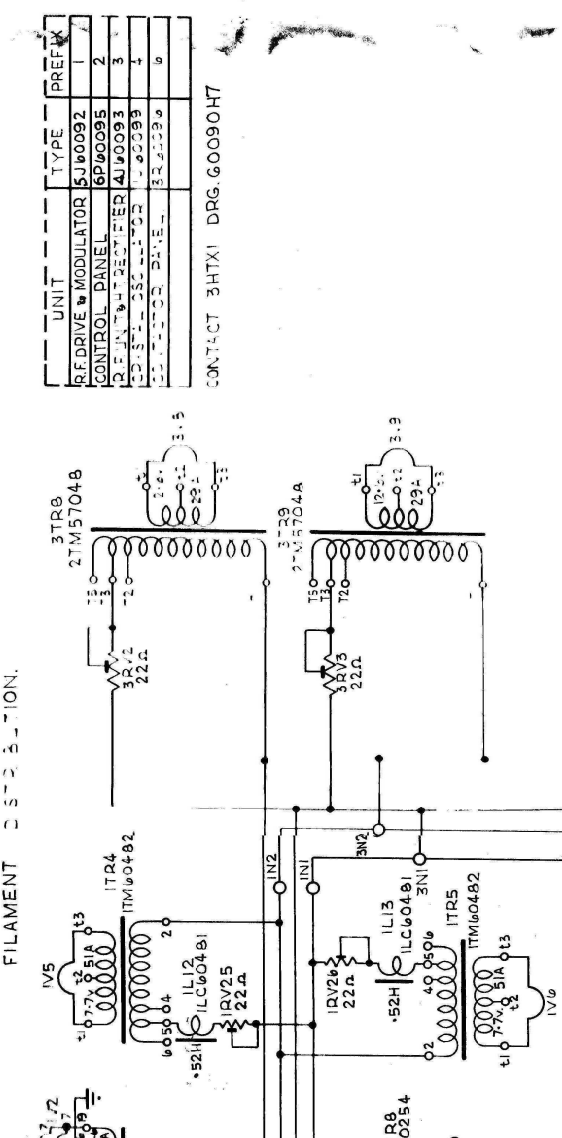
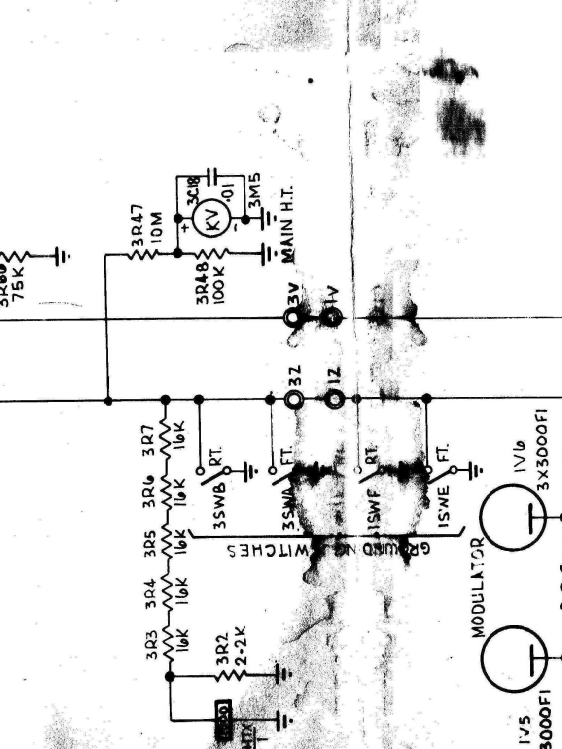
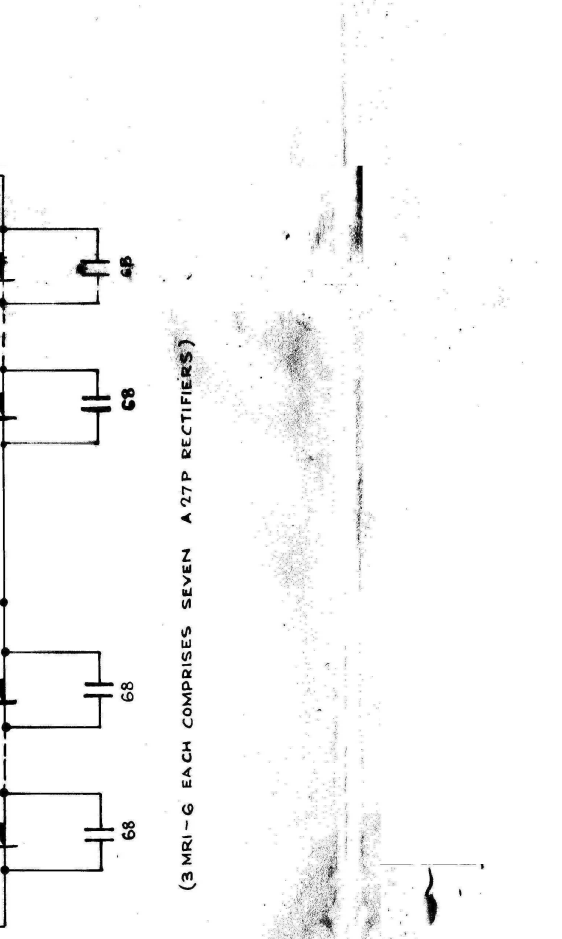
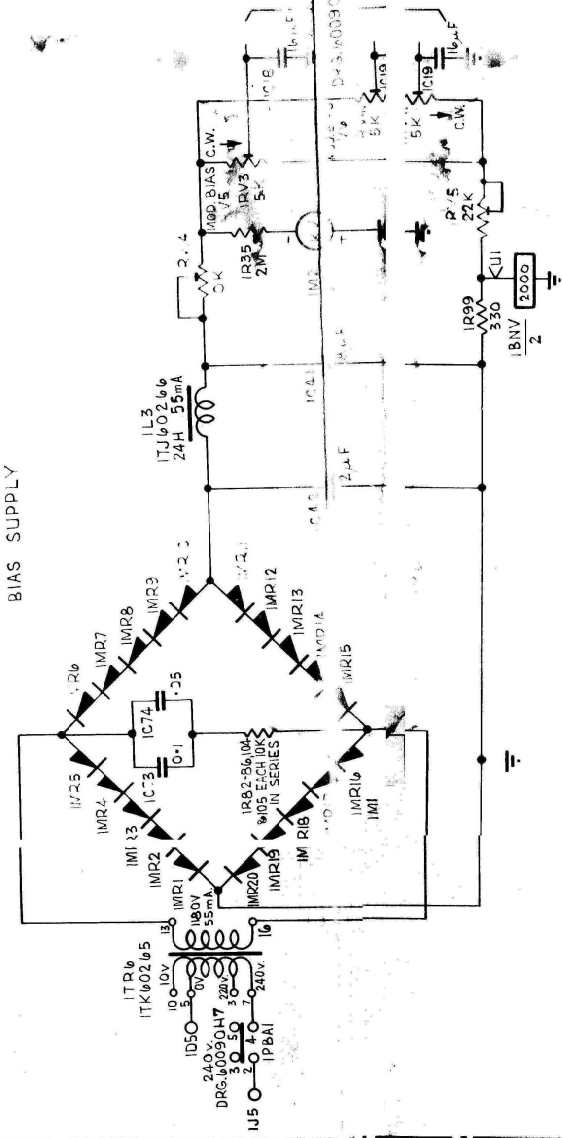
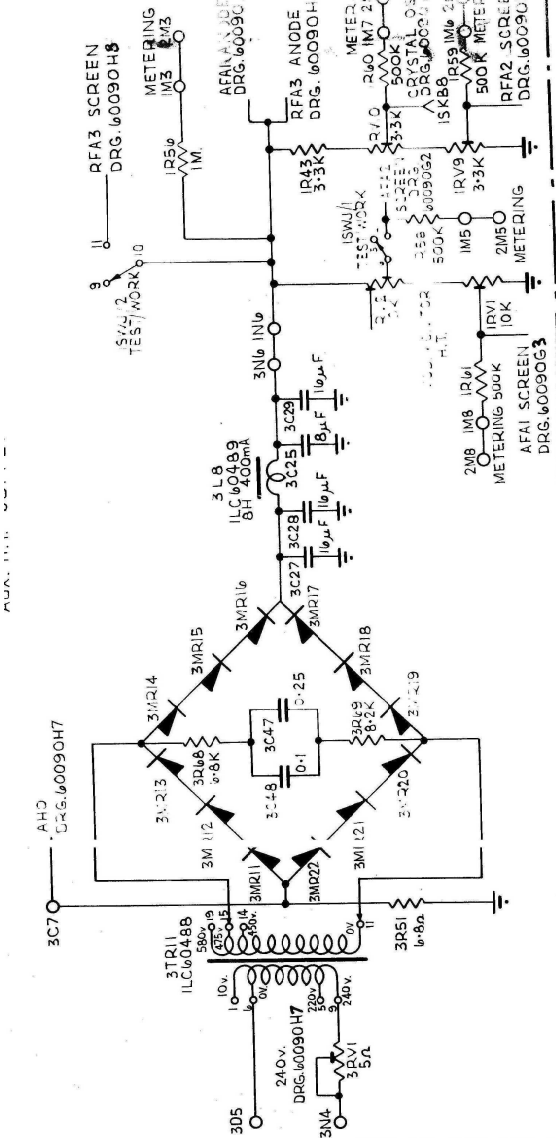


UNIT.	TYPE	PREFIX
R.F. DRIVE & MODULATOR	5J60092	1
CONTROL PANEL	6P60095	2
R.F. UNIT & H.T. RECTIFIER	4J60093	3
CRYSTAL OSCILLATORS	1J60099	4

ANCILLARY MAINS DISTRIBUTION
 10kW. M.F. BROADCAST TRANS. BTM-10 K

FILE 1258
 TYPE 5J60090
 R 304
 DRG 60090C7





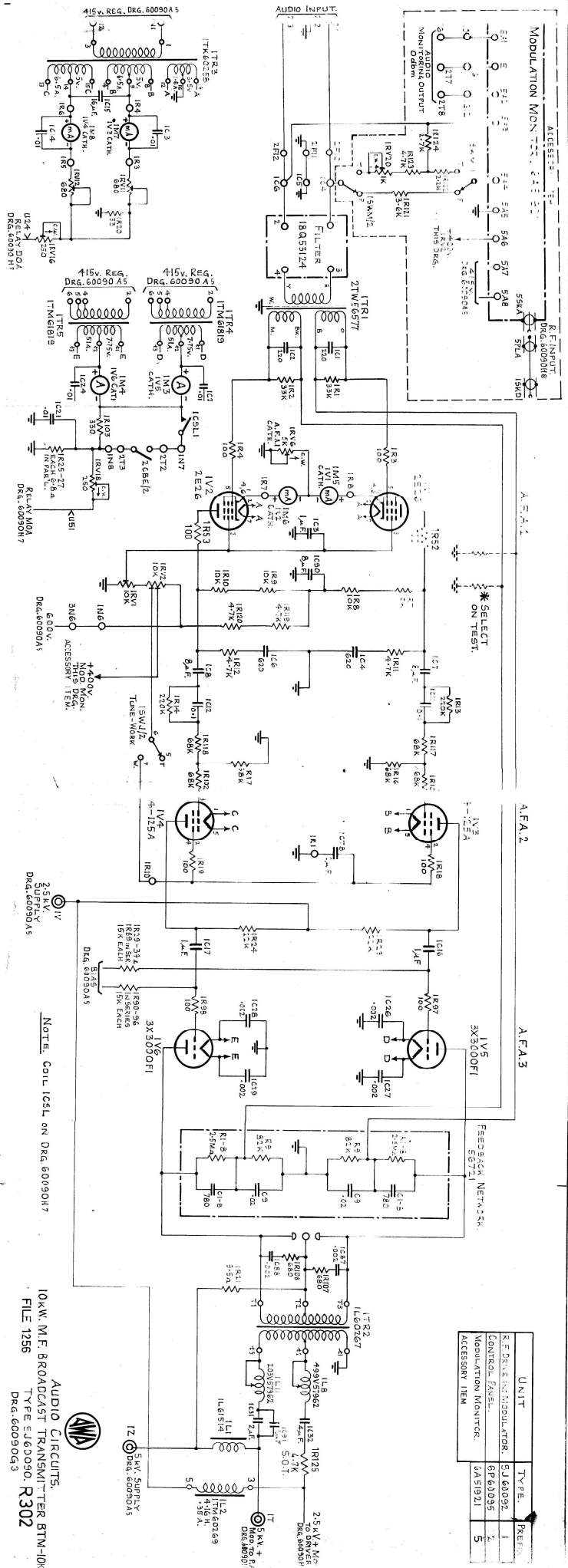
UNIT	TYPE	PREF.
R.F. DRIVE MODULATOR	5J60092	1
CONTROL PANEL	6P40095	2
3-A. F. SCREEN	6AW60093	3
500V METER	6V50098	4
500K METER	6V50099	5
CRYSTAL OSC. HT.	6V50090	6
SCREENS	6V50091	7

CONTACT BHTXI DRG. 60090H7



POWER SUPPLIES & D.C. DISTRIBUTION
IOWA M.F. BROADCAST TRANSMITTER 8TM-10K
TYPE 5J60090
FILE 1255 DRG. 60090A5

- P-05N.1. OFF
- 1. CONTROL SUPPLY
 - 2. AUX. H.T.
 - 3. AFA(2) SCREEN
 - 4. RFA(2) SCREEN
 - 5. CRYSTAL OSC. HT.
 - 6. A.F.A.1. SCREENS



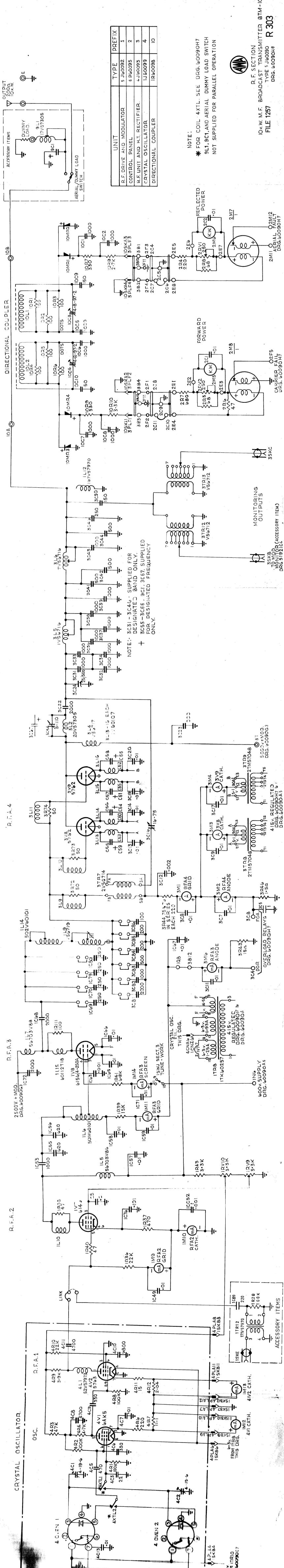
UNIT	TYPE	REFER.
5.6 DC IN MODULATOR	SU 60092	1
CONTROL PANEL	6P 60095	2
MODULATION MONITOR	2A 9121	5
ACCESSORY ITEM		

NOTE: COIL IC51 ON DRG.6009017

10K: M.F. BROADCAST TRANSMITTER BTM-10K
 TYPE EJ60090
 FILE 1256
 DRG.6009043



AUDIO CIRCUITS
 2.5KV SUPPLY
 DRG.6009043



UNIT	TYPE	PREFIX
R.F. DRIVE AND MODULATOR	5J60092	1
CONTROL PANEL	6P60093	2
R.F. UNIT AND H.T. RECTIFIER	4J60093	3
CRYSTAL OSCILLATOR	1J60093	4
DIRECTIONAL COUPLER	1R60098	10

NOTE:
 * FOR COIL 4XTL. SEE DRG. 60090H7
 9L1, 9C1 AND AERIAL DUMMY LOAD SWITCH
 NOT SUPPLIED FOR PARALLEL OPERATION



R. F. SECTION
 10A W. M. F. BROADCAST TRANSMITTER BTM-10A
 TYPE 5J60090
 FILE 1257
 DRG. 60090H6

FROM DRG. 60090H7

415V.C. REGULATED
 DRG. 60090H7
 DRG. 60090A3

OVERLOAD RELAY
 DRG. 60090H7
 DRG. 60090A5

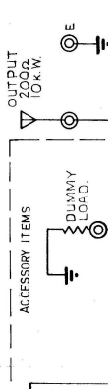
CRYSTAL OSC.
 THIS DRG.
 DRG. 60090H7
 DRG. 60090A3

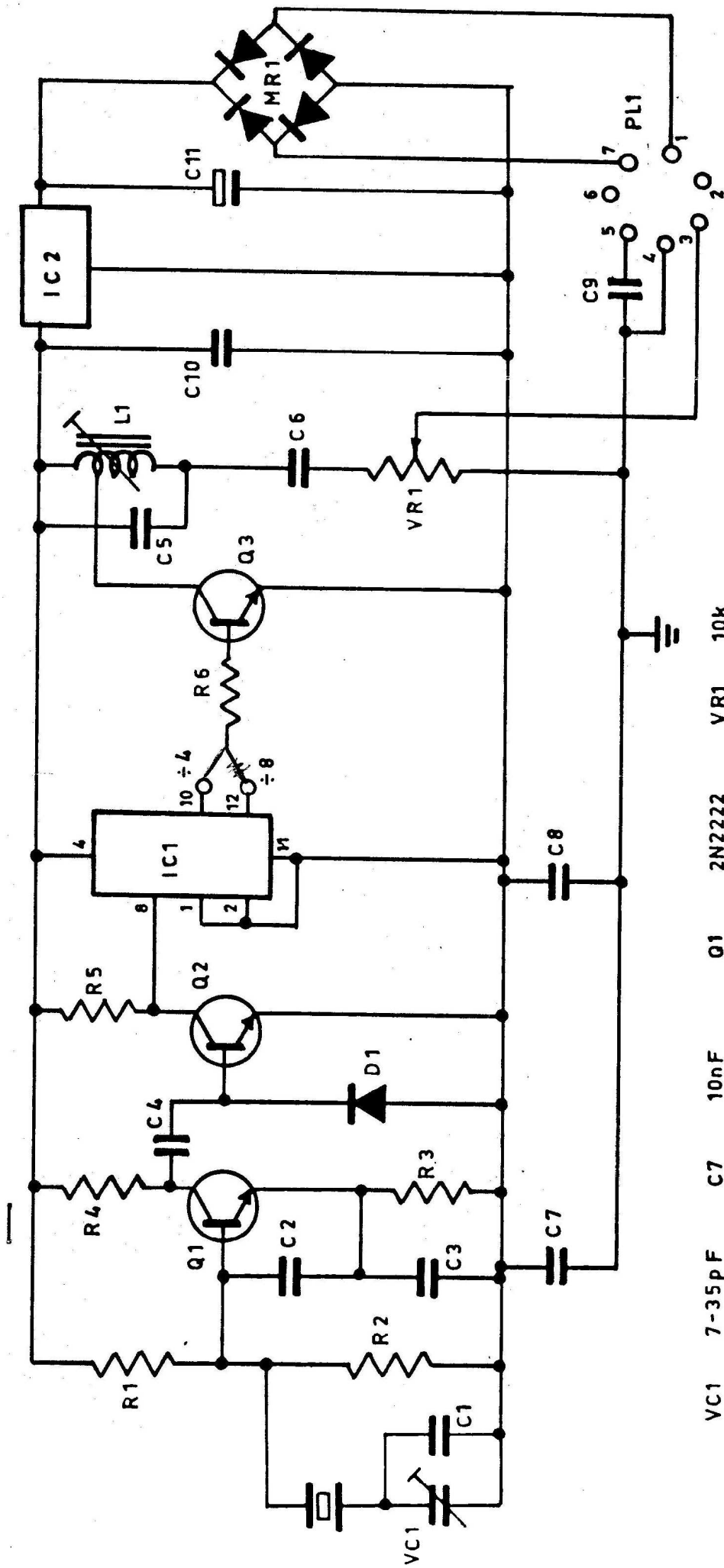
415V.C. REGULATED
 DRG. 60090H7
 DRG. 60090A3

MONITORING
 OUTPUTS
 35K8
 MONITOR (ACCESSORY ITEM)
 DRG. 51921C

CARRIER FAIL
 O2F5
 DRG. 60090H7

AERIAL FAULT
 O2M12
 DRG. 60090H7





VC1	7-35 pF	C7	10 nF	Q1	2N2222	VR1	10k
C1	18 pF	C8	10 nF	Q2	2N2369	R1	8k2
C2	330 pF	C9	10 nF	Q3	2N2369	R2	6k8
C3	330 pF	C10	0.22 μF	IC1	74L93	R3	270
C4	1 nF	C11	220 μF	IC2	LM340 5	R4	330
C5	A.I.T.	MR1			W02	R5	150
C6	10 nF	D1	1N4148	R6	2k2		

REPLACEMENT FOR
AWA CRYSTAL
TYPE R3535 & R4196

**AMALGAMATED WIRELESS
(AUSTRALASIA) LTD**



ENGINEERING PRODUCTS DIVISION

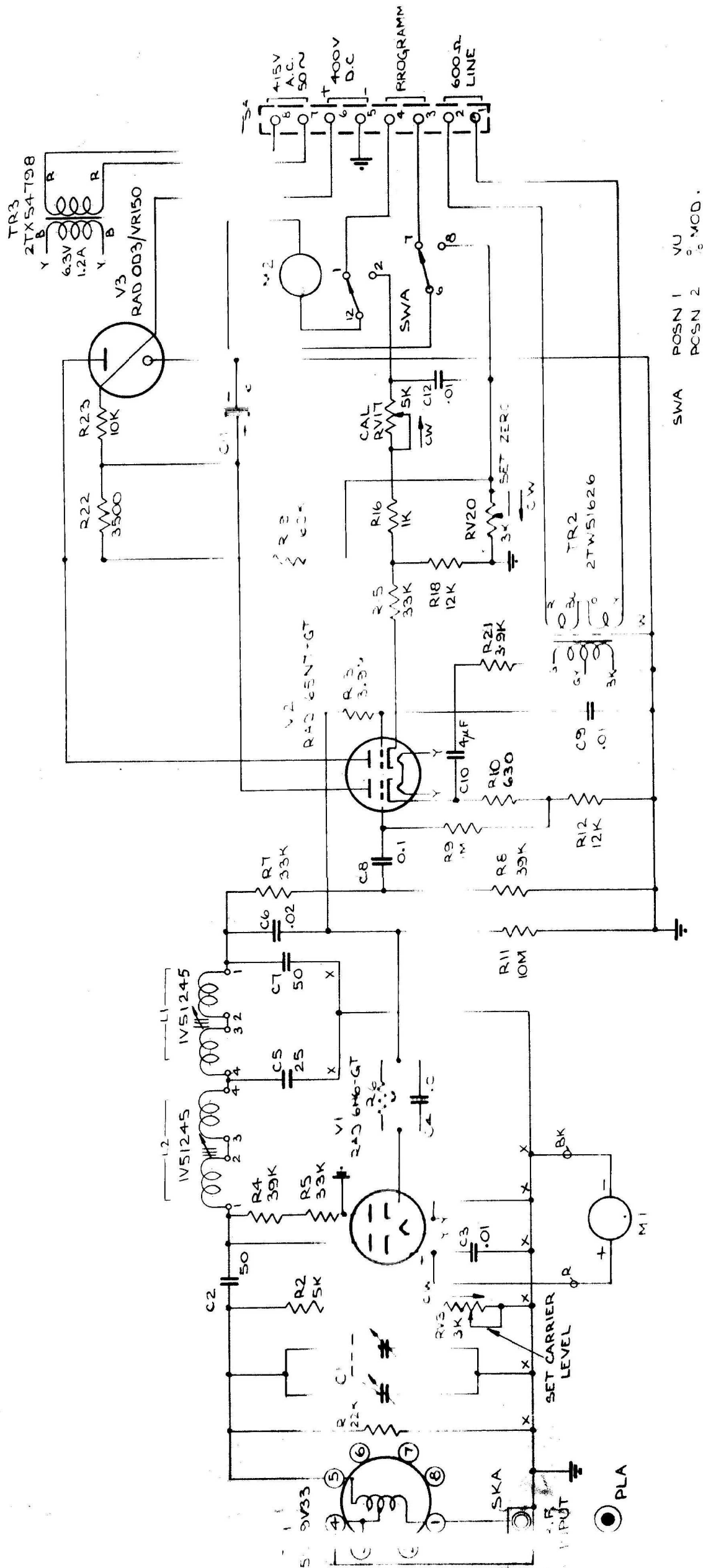
TITLE

CRYSTAL OSCILLATOR

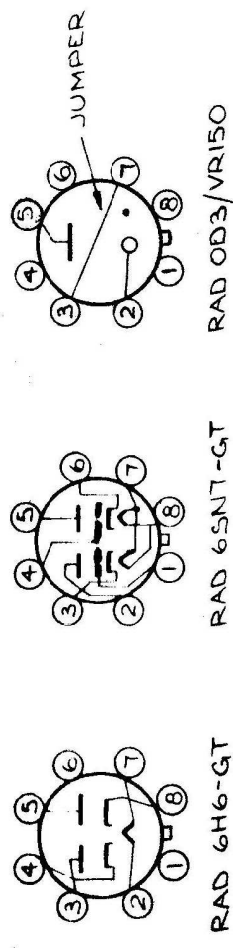
TYPE No. 3163746

DRAWING No. 537/5-3 01

ISSUE

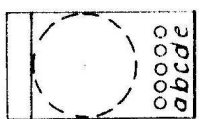
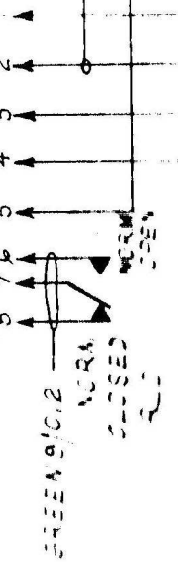


BOTTOM VIEW OF SOCKETS



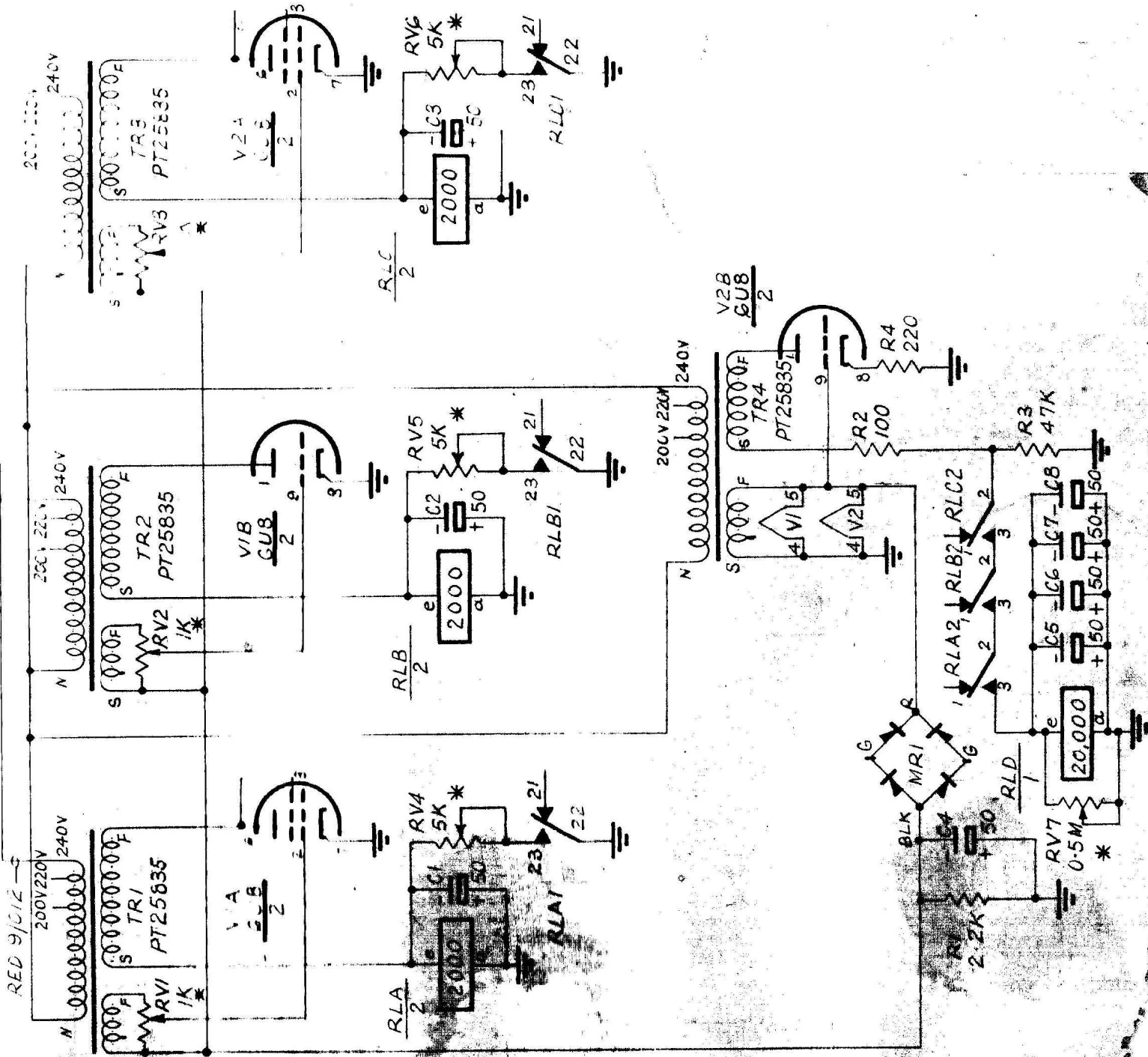
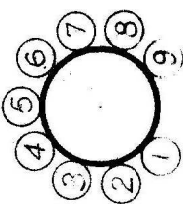
CIRCUIT DIAGRAM
 MODULATION INDICATOR & MONITOR
 TYPE 6A51921
 DRG 51921CA

CABLE FORM AND MARKED FANNING STRIP

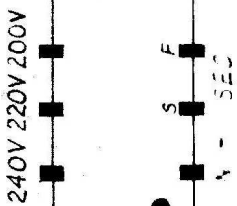
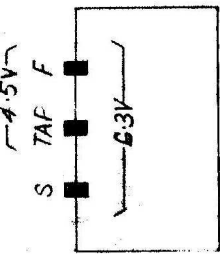


VIEW OF WIRING SIDE OF 6000 TYPE RELAY

BOTTOM VIEW OF SOCKETS



TERMINAL BOARDS
TRI - TR4



RED DOT

NOTE *

RV1, 2, 3. WHEN POT. IS TURNED ANTI-CLOCKWISE, ARM MOVES TOWARDS S.

RV4, 5, 6. WHEN POT. IS TURNED ANTI-CLOCKWISE, ARM MOVES TOWARDS RLAI, RLB1, RLC1.

RV7 WHEN POT. IS TURNED ANTI-CLOCKWISE, ARM MOVES AWAY FROM EARTH.



MAINS LOW ALARM
TYPE IR5C745
DRG. 56745C1